



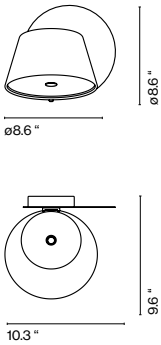
# Tam Tam Fabien Dumas

SKU: MAMOET-201-Tam Tam 2A Wall Sconce

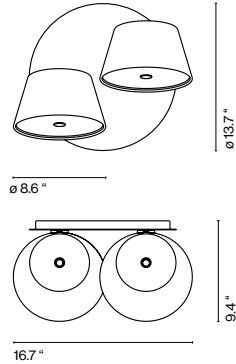
Tam Tam Fabien Dumais



Tam Tam A



Tam Tam A2



Tam Tam A

🔊 E26 LED TYPE A 11W

Tam Tam A2

🔊 2 x E26 LED TYPE A 11W

120 V - 60 Hz

Shade

- Black semi-matt (RAL 9011)
- Off-white semi-matt (RAL 1013)
- Sand semi-matt (RAL 7032)
- Silver grey semi-matt (RAL 7001)
- Olive yellow semi-matt (RAL 1020)
- Orange semi-matt (RAL 2000)
- Brown grey semi-matt (RAL 7013)

Base

- Off-white semi-matt (Ral 1013)

Tam Tam A - switch on backplate

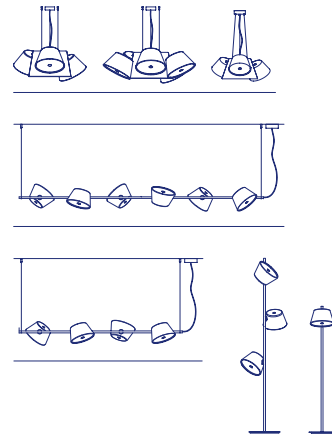
Tam Tam A2 - hardwired to wall switch

White lacquered metal plate. Shade made of lacquered aluminum with an opalescent methacrylate diffuser over the open end.

Dry locations only

- [Download](#) Assembly Instructions
- [Download](#) Photometric Data
- [Download](#) 2D
- [Download](#) 3D

Range



**⚠️ WARNING.** California Proposition 65 Warning for California Consumers. This product can expose you to chemicals including wood dust and lead which are known to the State of California to cause cancer or birth defects or other reproductive harm. For more information go to [www.P65Warnings.ca.gov](http://www.P65Warnings.ca.gov)

They fit your environment, spreading light wherever you want. The single-shade model is suitable for use as a bedside lamp, featuring a switch at the bottom, and the two-shade model invites you to install it in corridors or just to light up spaces.